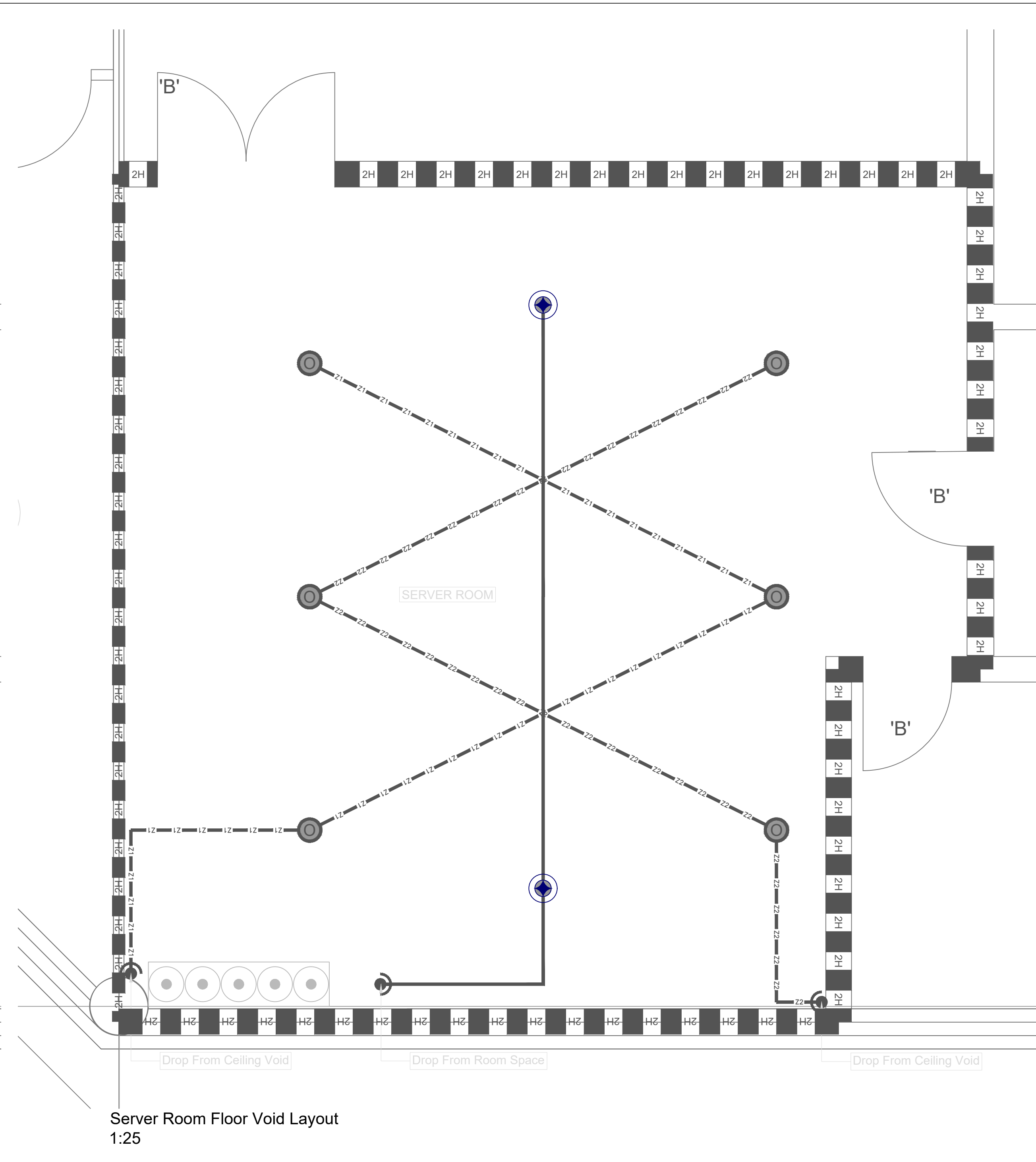
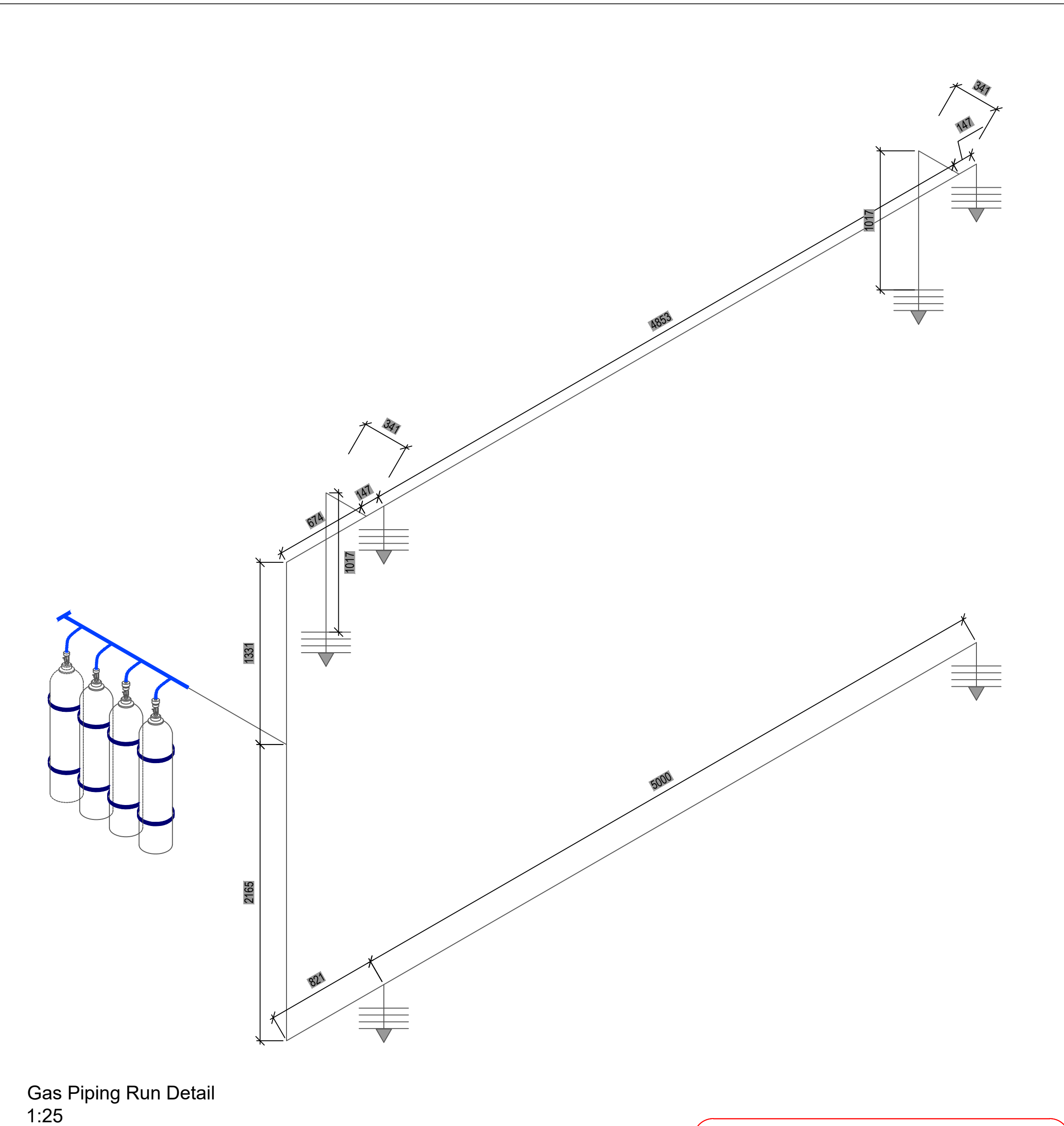


Server Room Room Space & Ceiling Void Layout
1:25

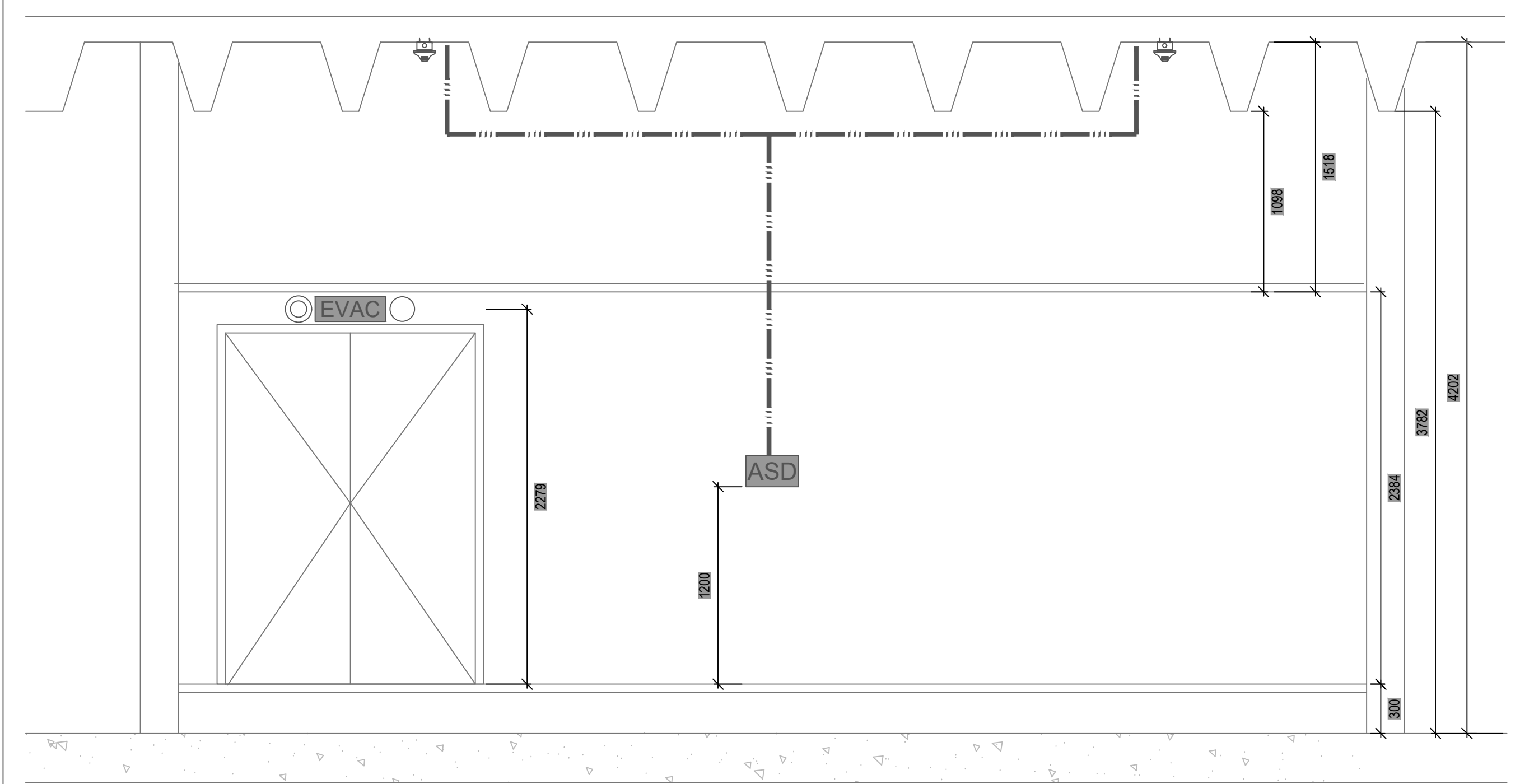


Server Room Floor Void Layout
1:25

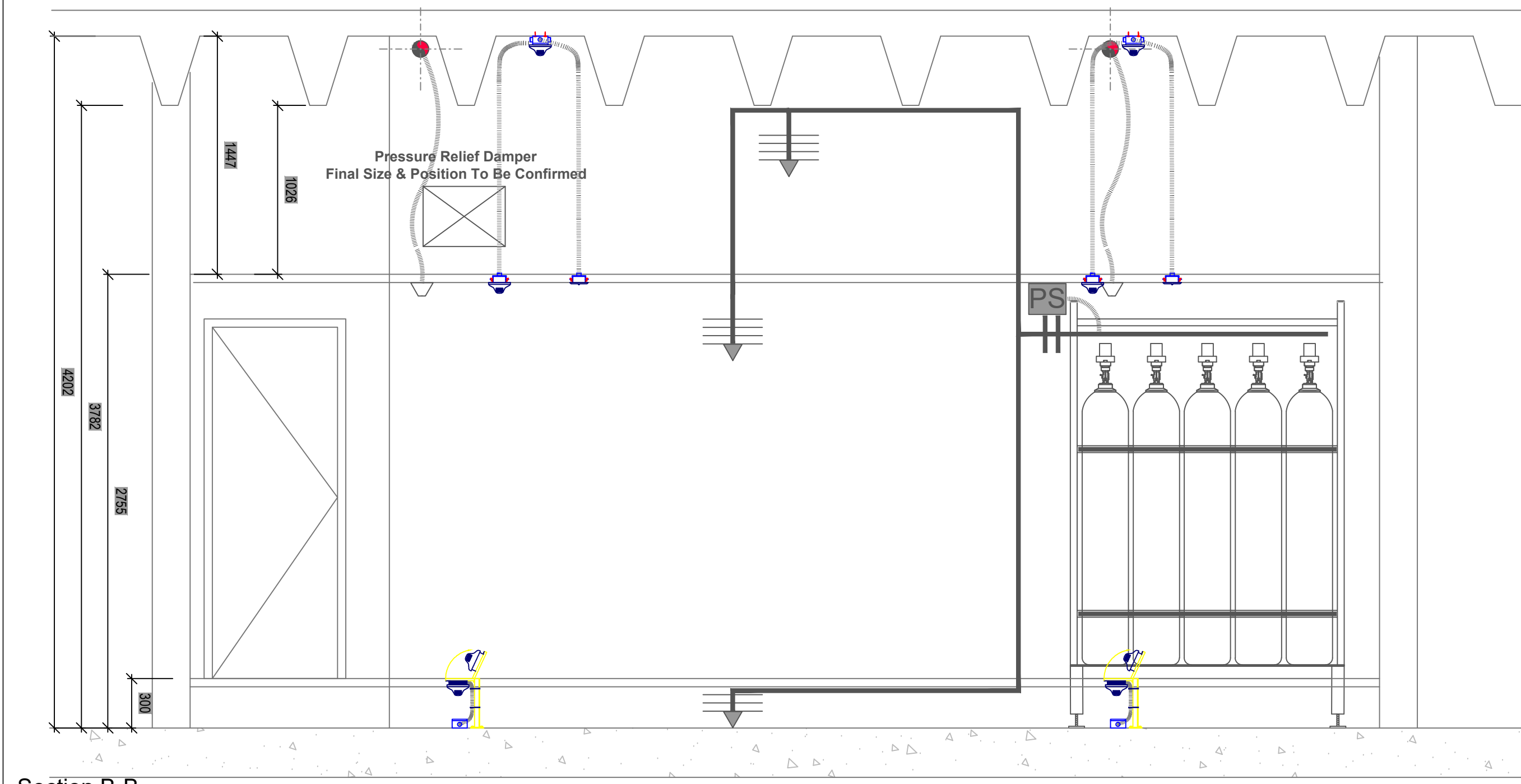


Gas Piping Run Detail
1:25

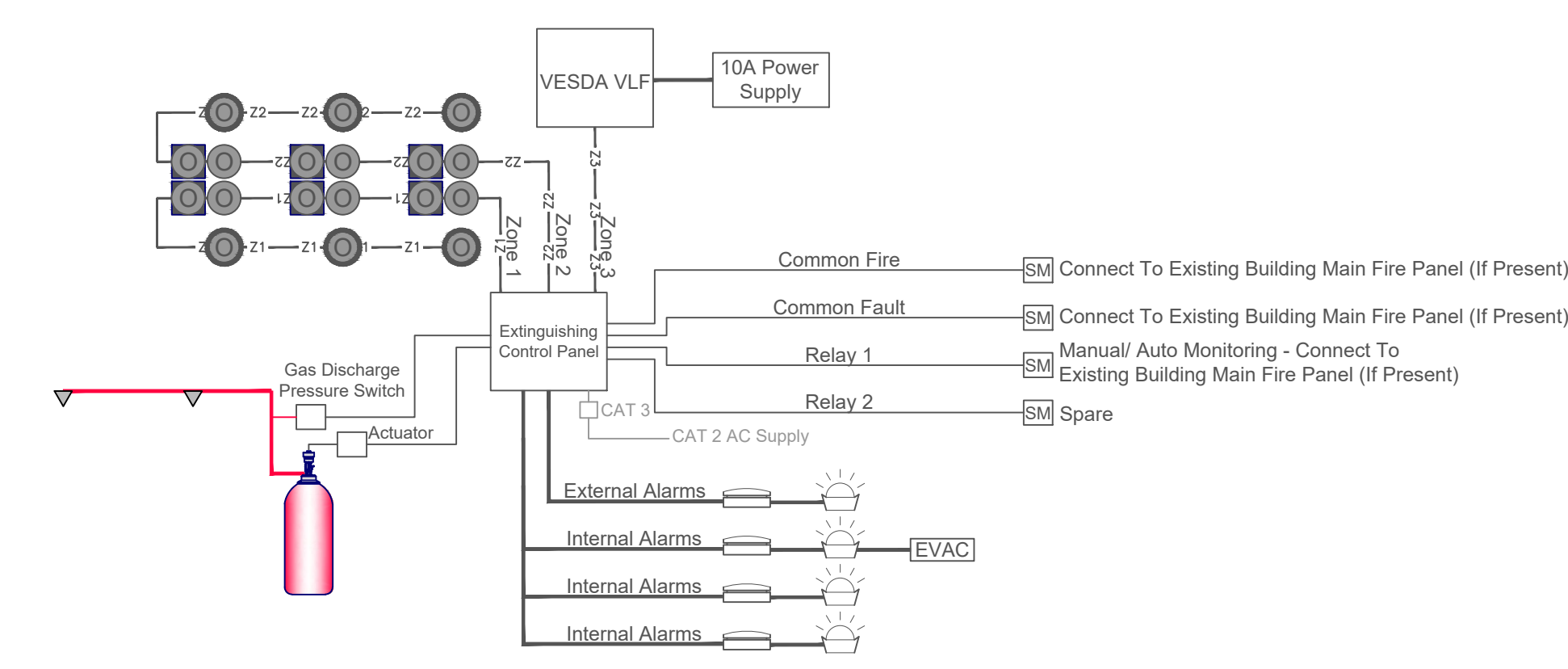
ISSUED FOR TENDER



Section A-A
1:25

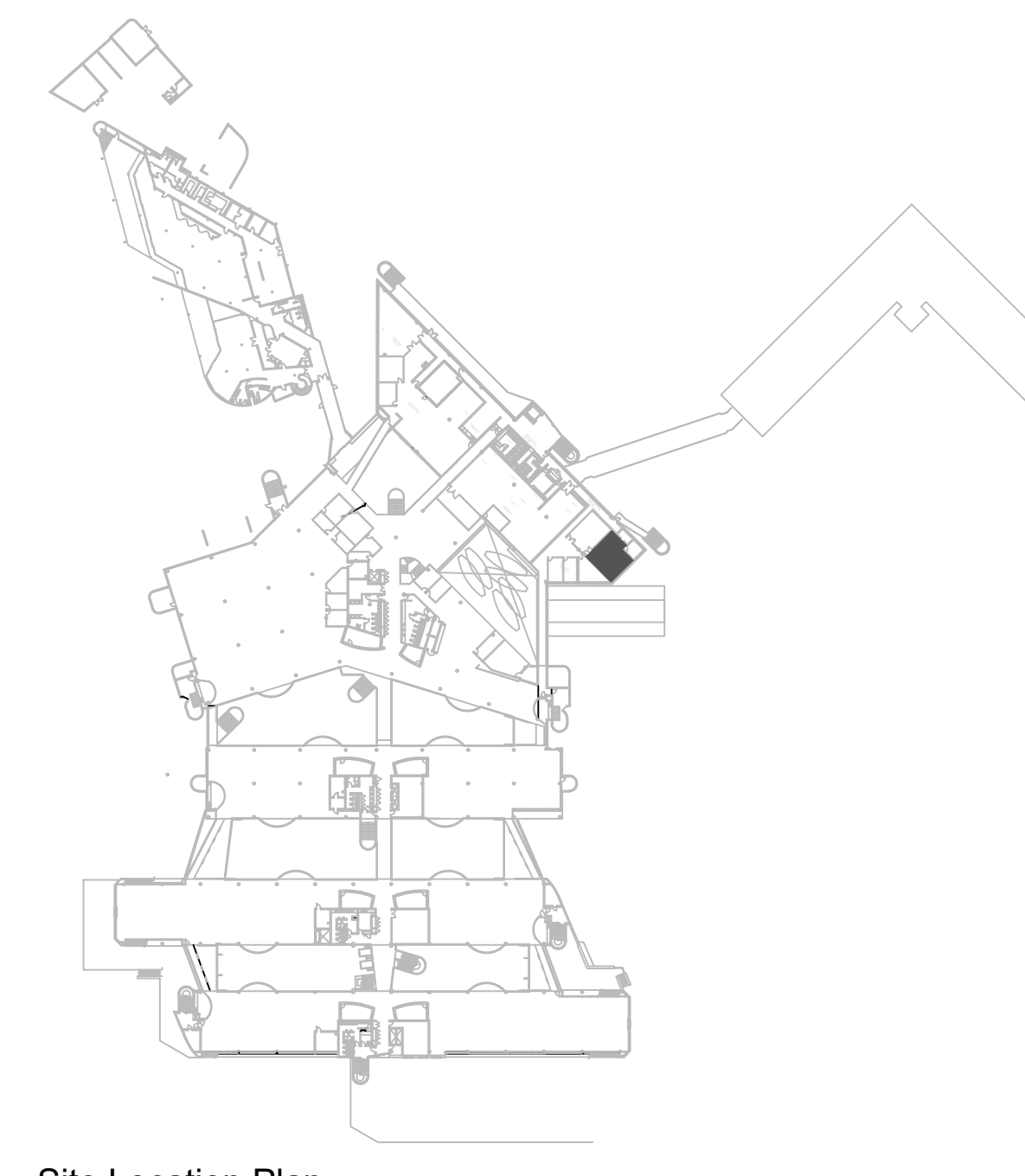


Section B-B
1:25



Extinguishing Control Panel Schematic Detail
NTS

DESCRIPTION	Server Room		
	F. Floor	Rm Space	Cing Void
Area (m ²)	0,00	0,00	
Height (m)	0	0,00	
Volume (m ³)	0,00	189,90	
Altitude Correction Factor	0,81	0,81	
Design Concentration	39,9%	39,9%	
Flooding Factor	0,50	0,50	
Gas Required (m ³)	0,00	76,81	
Room Total Volume (m ³)		189,90	
Total Gas Required (m ³)		76,81	
Quantity 18.2m ³ Cylinders Req.		4,75	
Actual Gas Quantity		81	
Actual Flooding Factor		0,53	



Site Location Plan
NTS

NO.	DATE	DESCRIPTION	DRN BY
00	05/04/2019	Issued For Tender	CG

CONSULTING ENGINEER SIGNATURE: _____ DATE: _____
PROFESSIONAL REG. _____

CLIENT SIGNATURE: _____ DATE: _____

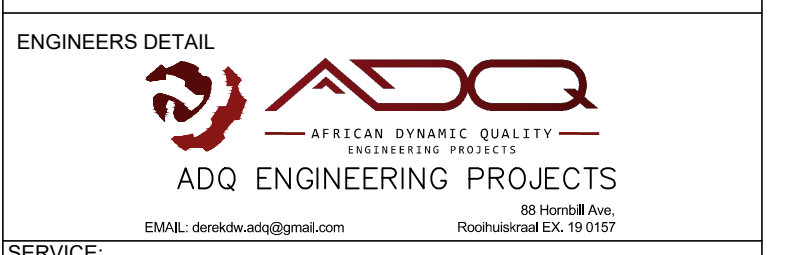
- NOTES:
- FOR GENERAL NOTES REFER TO DRAWING.
 - DRAWINGS ARE NOT TO BE SCALED. ALL LEVELS AND DIMENSIONS TO BE VERIFIED ON SITE PRIOR TO COMMENCEMENT OF WORKS. ANY DISCREPANCIES TO BE BROUGHT TO THE ENGINEER'S ATTENTION IMMEDIATELY.
 - THIS DRAWING IS TO BE READ IN CONJUNCTION WITH ALL OTHER DRAWINGS, SCHEDULES AND SPECIFICATIONS RELATED TO THIS PROJECT.
 - ALL BUILDING WORK AND MATERIALS ARE TO COMPLY WITH LOCAL AUTHORITY'S REQUIREMENTS AND ARE TO BE IN ACCORDANCE WITH SANS 10400 NATIONAL BUILDING REGULATIONS.

- FIRE LEGEND:
- - Optical Smoke Detector (6off)
 - - Ceiling Void Optical Smoke Detector (6off)
 - - Floor Void Optical Smoke Detector (6off)
 - ⊙ - Wall Mounted Strobe/Sounder Combo (4off)
 - - Wall Mounted Bell (4off)
 - ⊙ - Aspiring Smoke Detector (1off)
 - x - Aspiration Hole (12off)
 - - Ceiling Mounted Gas Nozzle (2off)
 - - Floor Void Gas Nozzle (2off)
 - - Ceiling Void Gas Nozzle (2off)
 - - Gas Cylinder (5off)
 - - Extinguishing Control Panel (1off)
 - - Pressure Switch Interface (1off)
 - - Power Supply Unit (1off)
 - - Evac Light (1off)
 - - Aspiring Smoke Detection Piping (24m)
 - - 2 Hour Firewall
 - - Zone 1 Wiring (38m)
 - - Zone 2 Wiring (39m)
 - - Zone 3 Wiring (5m)
 - 'B' - Class B Fire Door

CLIENTS DETAIL



ARCHITECTS DETAIL



FIRE SERVICES

PROJECT NAME: IDC

SHEET TITLE: Floor 2 Server Room Gas Suppression Details & Layouts

DATE: 05/04/2019 ADD REF NO: -

PAPER SIZE: A0 DESIGNED BY: JJ

SCALE: As Shown DRAWN BY: CG

CHECKED BY: JJ

DRAWING NUMBER: P18045-TN-FIR-403 REV: 00