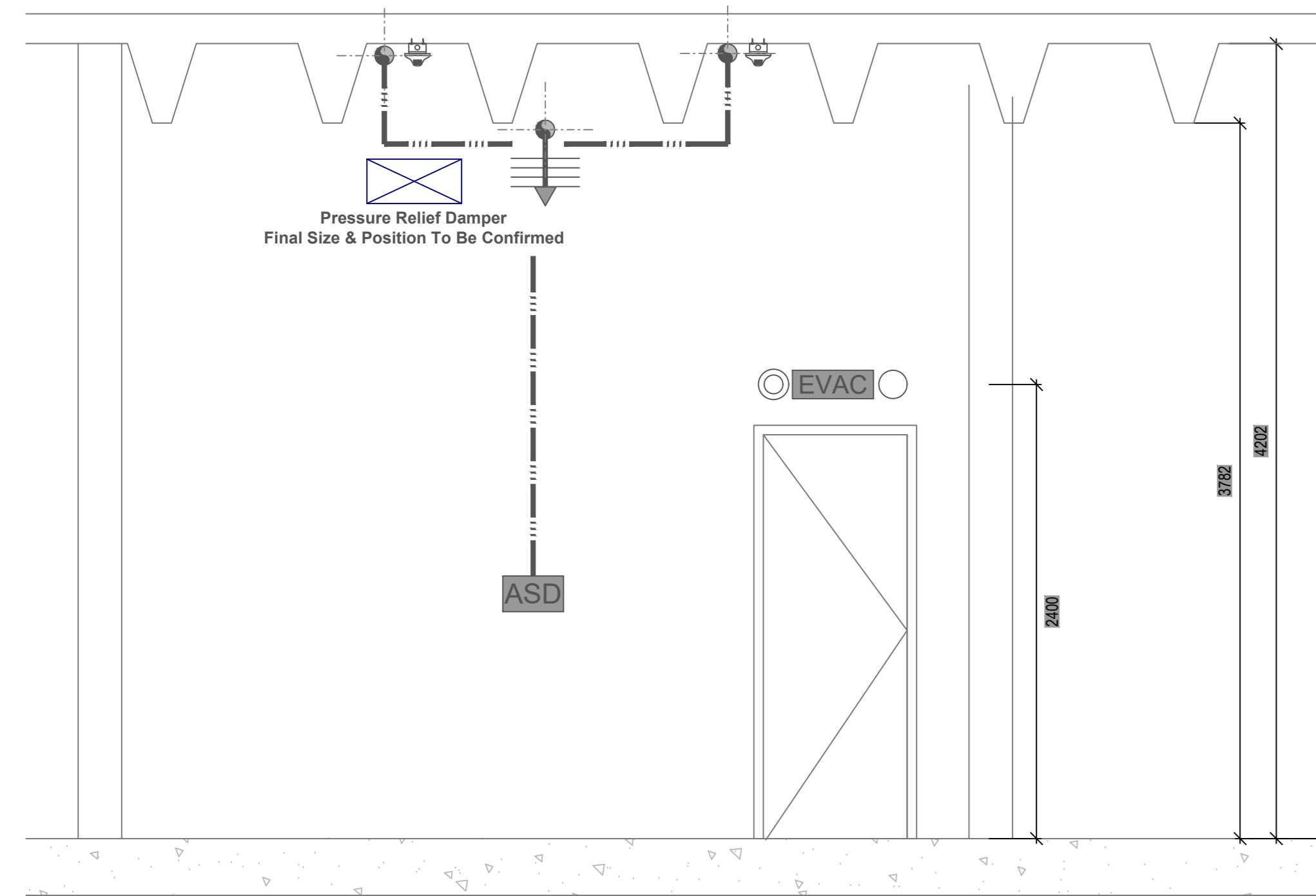
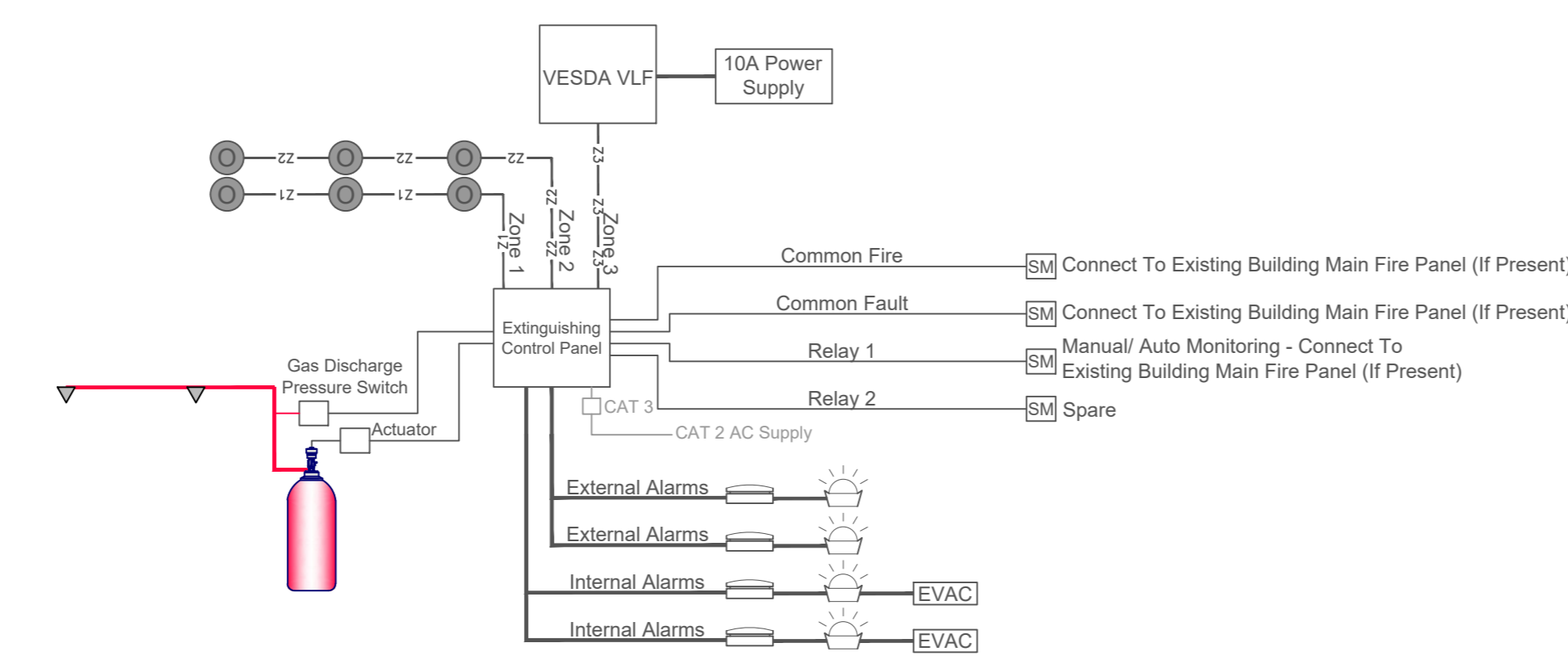


Nerve Centre Room Space Layout
1:25

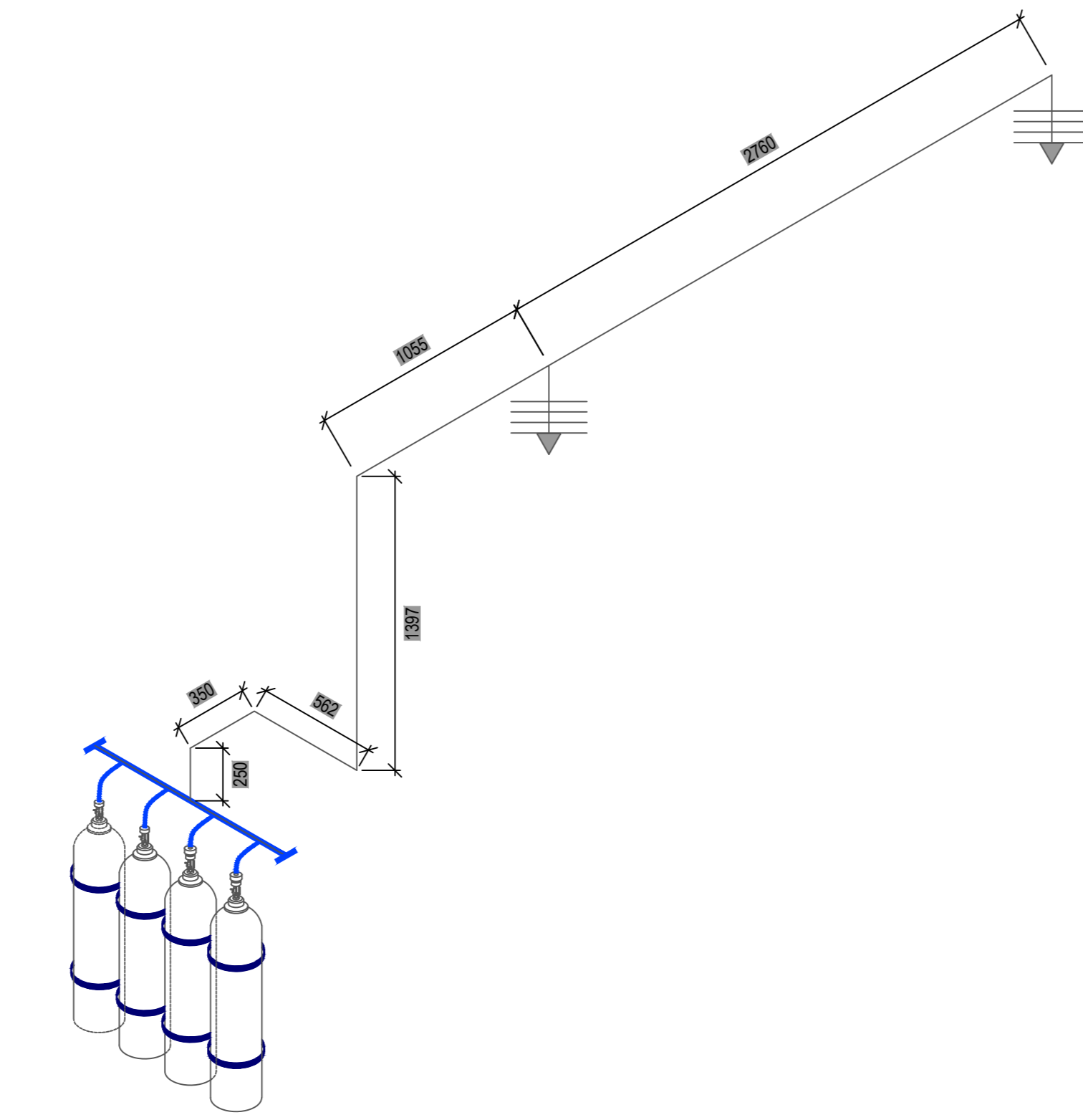


Section A-A
1:25



Extinguishing Control Panel Schematic Detail
NTS

DESCRIPTION	Nerve Centre		
	F. Floor	Rm Space	Cing Void
Length (m)	0,00	5,12	0,00
Width (m)	0,00	4,33	0,00
Area (m ²)	0,00	22,16	0,00
Height (m)	0,00	3,90	0,00
Volume (m ³)	0,00	84,13	0,00
Trench and coffers (m ³)	0,00	0,00	0,00
Total Volume	0,00	84,13	0,00
Design Concentration	39,9%	39,9%	39,9%
Flooding Factor	0,50	0,50	0,50
Gas Required (m ³)	0,00	34,07	0,00
Room Total Volume (m ³)		136,13	
Total Gas Required (m ³)		55,94	
Quantity 19.2m ³ Cylinders		3,45	
Actual Gas Quantity		64,8	
Actual Flooding Factor		0,56	



Gas Piping Run Detail
1:25

ISSUED FOR TENDER

REVISION:

NO	DATE	DESCRIPTION	DRN BY
00	05/04/2019	Issued For Tender	CG

CONSULTING ENGINEER SIGNATURE: _____ DATE: _____
PROFESSIONAL REG. _____

CLIENT SIGNATURE: _____ DATE: _____

NOTES:

- FOR GENERAL NOTES REFER TO DRAWING
- DRAWINGS ARE NOT TO BE SCALED. ALL LEVELS AND DIMENSIONS TO BE VERIFIED ON SITE PRIOR TO COMMENCEMENT OF WORKS. ANY DISCREPANCIES TO BE BROUGHT TO THE ENGINEER'S ATTENTION IMMEDIATELY.
- THIS DRAWING IS TO BE READ IN CONJUNCTION WITH ALL OTHER DRAWINGS, SCHEDULES AND SPECIFICATIONS RELATED TO THIS PROJECT.
- ALL BUILDING WORK AND MATERIALS ARE TO COMPLY WITH LOCAL AUTHORITY'S REQUIREMENTS AND ARE TO BE IN ACCORDANCE WITH SANS 10400 NATIONAL BUILDING REGULATIONS.

FIRE LEGEND:

- - Optical Smoke Detector (6off)
- - Wall Mounted Strobe/Sounder Combo (4off)
- - Wall Mounted Bell (4off)
- - Aspirating Smoke Detector (1off)
- X - Aspiration Hole (6off)
- - Ceiling Mounted Gas Nozzle (2off)
- - Gas Cylinder (4off)
- - Extinguishing Control Panel (1off)
- - Gas Release Interface (1off)
- - Power Supply Unit (1off)
- - Evac Light (2off)
- - Aspirating Smoke Detection Piping (15m)
- - 2 Hour Firewall
- - Zone 1 Wiring (23m)
- - Zone 2 Wiring (23m)
- - Zone 3 Wiring (7m)
- B' - Class B Firedoor
- - 5kg CO2 Fire Extinguisher (3off)

CLIENTS DETAIL

ARCHITECTS DETAIL

ENGINEERS DETAIL

SERVICE: FIRE SERVICES

PROJECT NAME: IDC

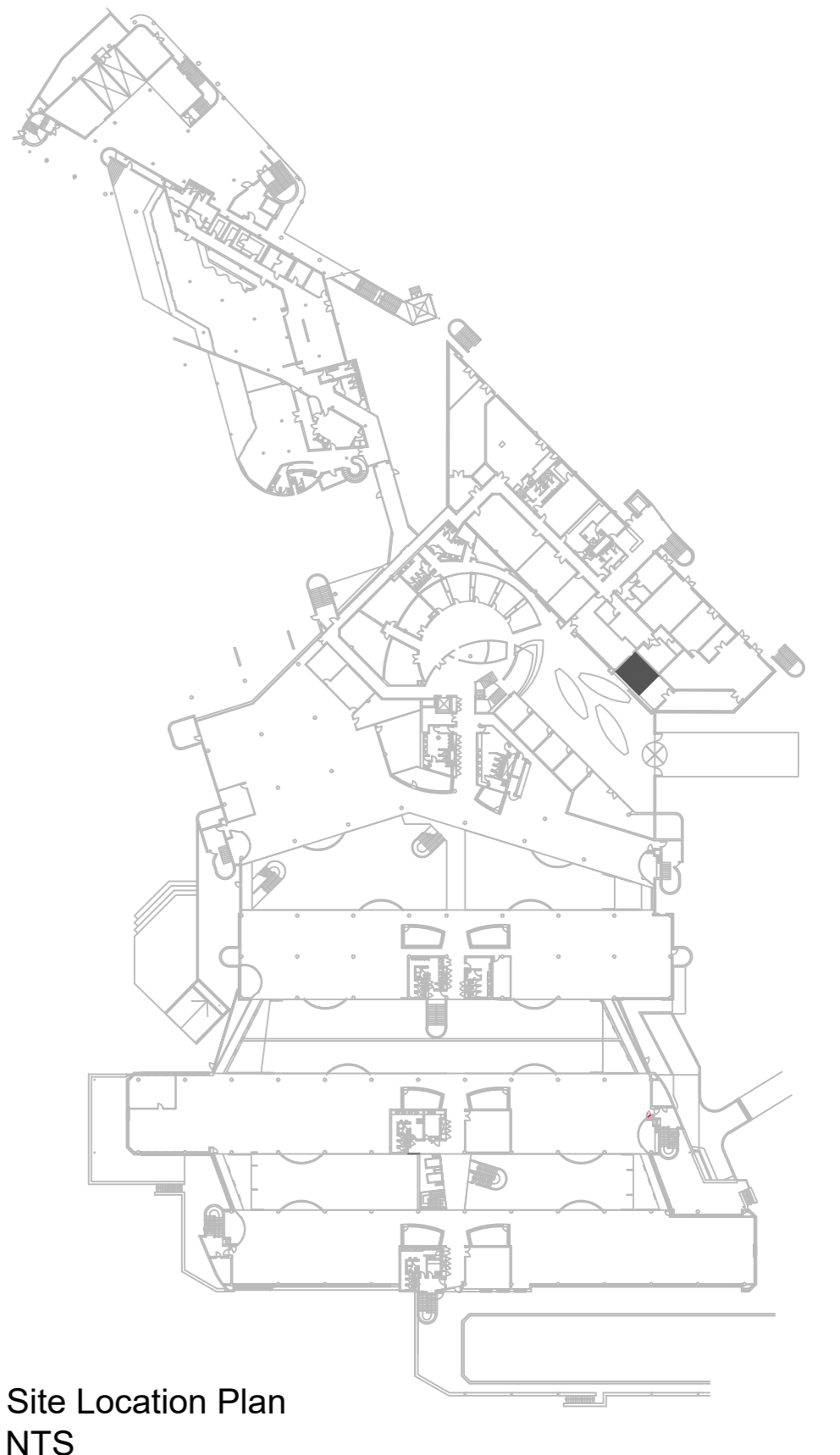
SHEET TITLE: Floor 1 Nerve Centre Gas Suppression Details & Layouts

DATE: 05/04/2019 ADD REF NO: -

PAPER SIZE: A0 DESIGNED BY: JJ

SCALE: As Shown DRAWN BY: CG CHECKED BY: JJ

DRAWING NUMBER: P18045-TN-FIR-401 REV: 00



Site Location Plan
NTS